

Hermès

Stout
patient lift



DUPONT



Optional Class 3
medical
weighing system

CE

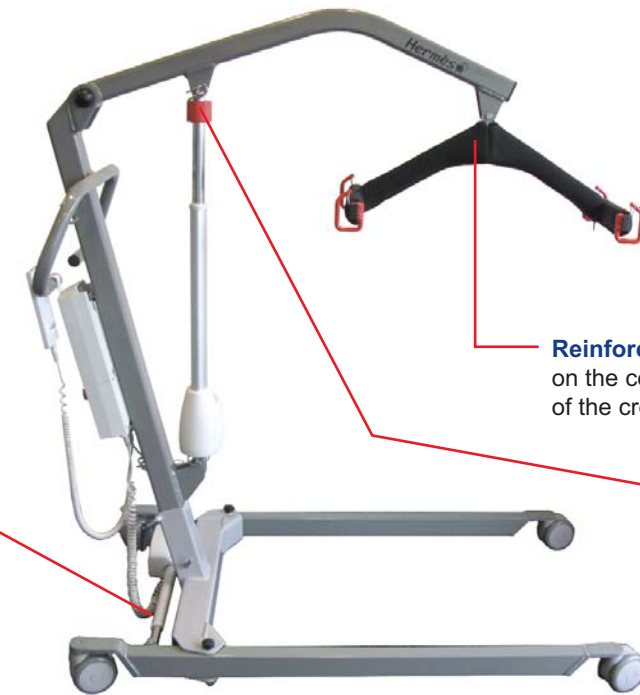
www.dupont-medical.com

SAMERY[®]
A DUPONT MEDICAL trademark

Reinforced structure



The serial base **electrically moves apart** to effortlessly get closer



Double-roller, Ø 100 mm wheels, equipped with solid tyres for **good mobility**.



Cross-bar equipped with **4 secure points**, and covered with **protective foam**

Reinforcing plates on the central part of the cross-bar



Manual **emergency lowering**

STRAPS



Hermès bath netted strap
XL size - Ref. SR 2350800
XXL size - Ref. SR 2350900



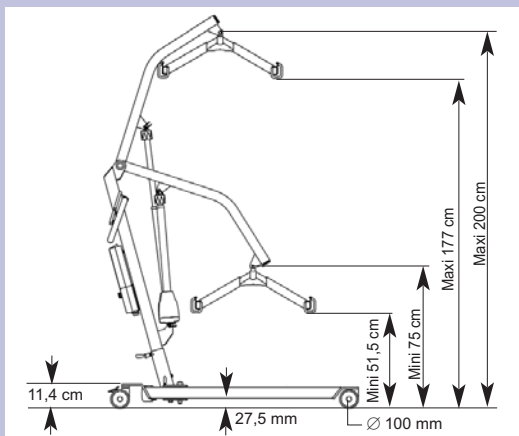
Hermès toilet strap
One size - Ref. SR 2351000



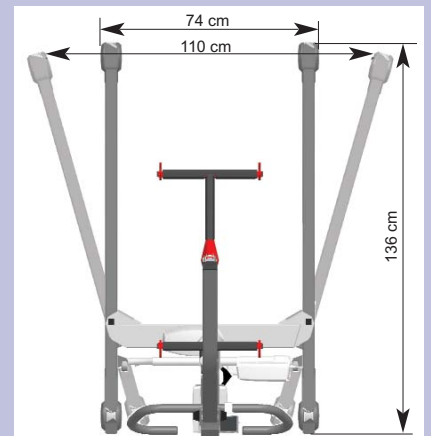
Hermès comfort strap with headrest
XL size - Ref. SR 2351100
XXL size - Ref. SR 2351200

SPECIFICATIONS

The photographs are not contractual, and some components may change for manufacturing or improving purposes.



Maximum load: 250 kg
Lift cylinder capacity: 10,000 N
Total weight: 55 kg
(the base of which weighs: 24 kg
mast + boom + cross-bar: 31 kg)



DUPONT MEDICAL

BP 19 - ZAC de Ban la Dame - 92 rue du train à fil
54390 FROUARD (France)
Tel. +33 (0)3 83 495 495 - Fax. +33 (0)3 83 495 496
<http://www.dupont-medical.com>

SAMERY®
A DUPONT MEDICAL trademark